

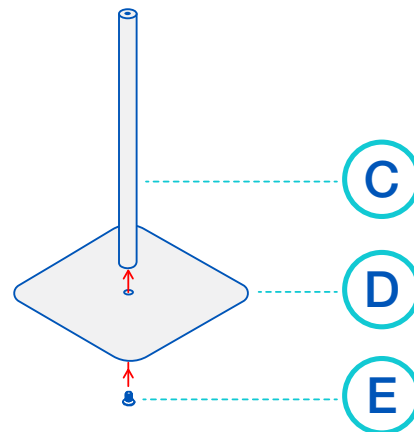
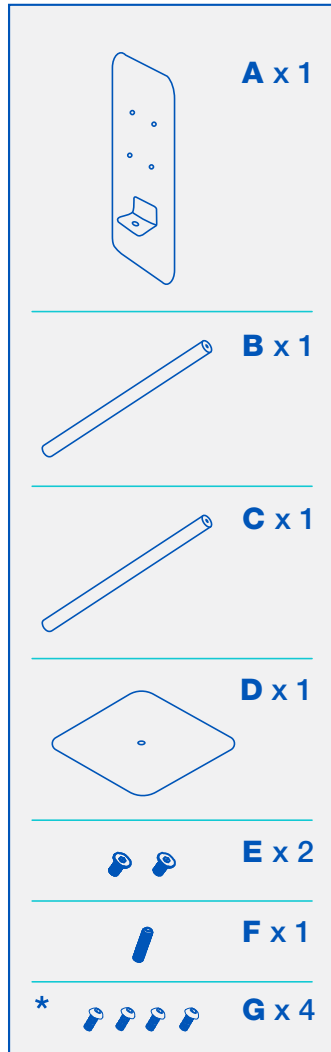
Touch-free Hand Disinfection Stand

Set up guide

clinell®

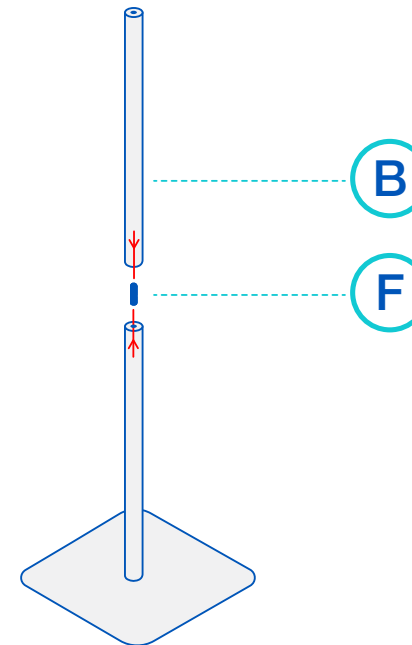
Parts included in box:

*Set aside **G x 4** for when fixing the Touch-free Hand Disinfection Dispenser onto the backplate.



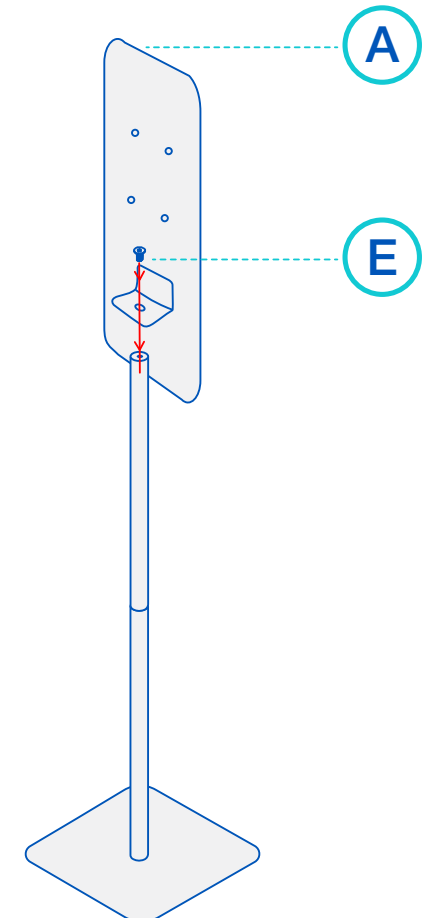
Step 1

Connect pole **C** to floor base **D** with screw **E**. Ensure it is secure.



Step 2

Connect pole **B** to pole **C** with screw **F**. Ensure it is secure.



Step 3

Connect the backplate **A** to pole **B** with screw **E**. Ensure it is secure.