

How to change pre-filters and HEPA 14 filters

Cleaning a pre-filter

- The pre-filter can be rinsed with clean water but must be completely dry before being used again as any remaining moisture could potentially cause damage to the HEPA 14 filter.

Cleaning and changing times

- Pre-filters are to be replaced every 300 hours and HEPA filters replaced every 3,000 hours.
- Clean all external surfaces frequently.
- The particle sensor should be cleaned every 2 months.

Please refer to the next 7 steps on how to clean the Rediair pre-filters, air outlet and particle sensor.



Refer to the main Rediair product manual for more information.



Scan to find more resources on our Rediair webpage

NOTE

Before first use, the Rediair filters must be removed from their protective packaging, making sure the retaining straps point outwards before installation.

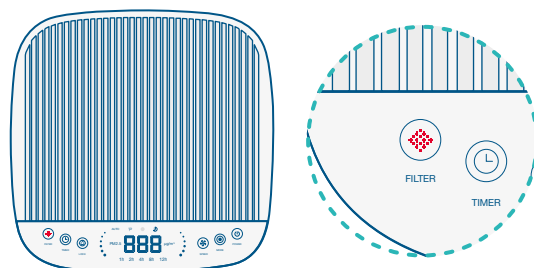
! WARNING

Before dismantling Rediair to perform filter maintenance/ replacement perform hand hygiene. Follow local guidance on the use of appropriate PPE.

! WARNING

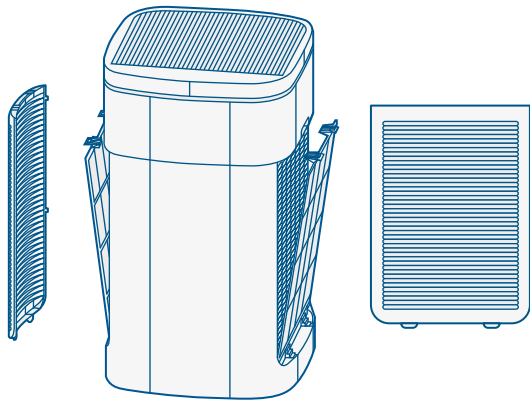
Always unplug the Rediair before dismantling device to perform filter maintenance/replacement.

1



When filter indicator (on the LCD touch control panel) **flashes red repeatedly**, it is time to clean the pre-filters.

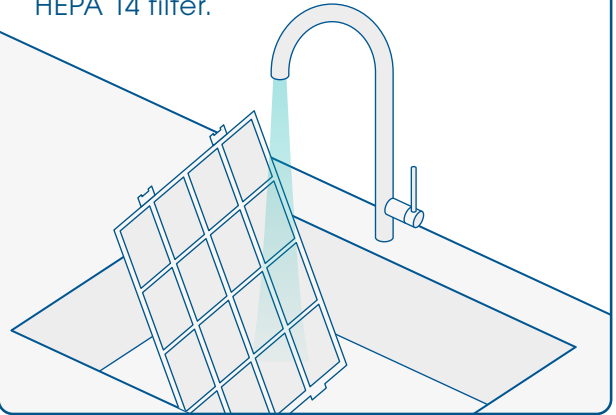
2



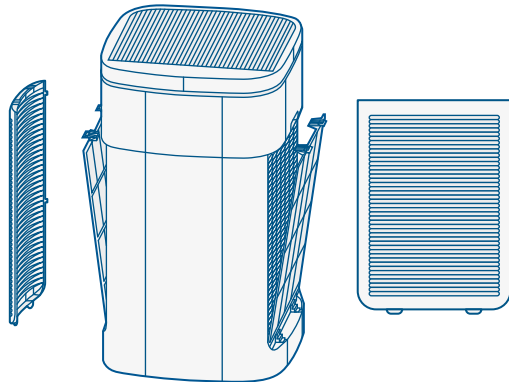
Remove the external covers and the pre-filters (both sides).

3

The pre-filters can be rinsed with clean water. **WARNING:** The pre-filters **MUST** be completely dry before use. Any remaining moisture could damage the HEPA 14 filter.

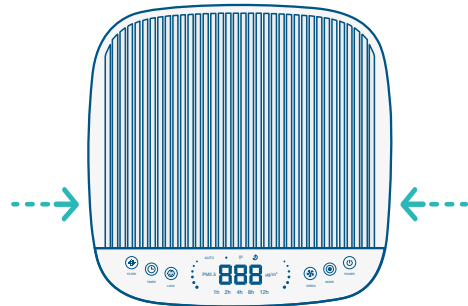


4



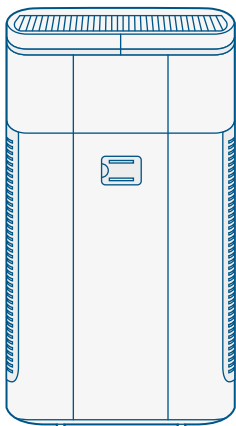
Re-install the external covers and the pre-filters (both sides). **Note:** Ensure external covers are fitted correctly or the Rediair will not power-on.

5



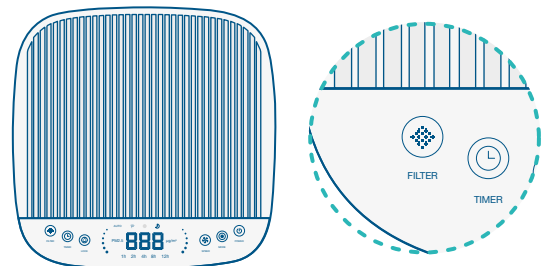
To clean Rediair's air outlet, lift the grill from the recesses indicated by the arrow symbols and clean the area with a dust cloth.

6



To clean the particle sensor (back of Rediair) lift flap and carefully clean with a cotton swab. This should be done every 2 months or if the LED air indicator consistently shows poor air quality.

7



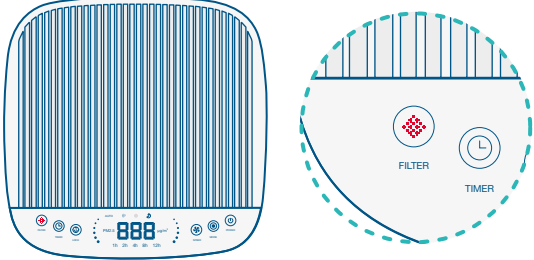
To re-set the pre-filter timer, hold the filter button for 5 seconds until it beeps

Filters: changing and disposal

Used Rediair filters can be disposed of following local waste guidance policies. Also, if the device has been used in polluted air situations, the filter must be packed into an airtight bag and disposed of per local waste guidance policies. In the case of contamination with viruses, please consult local guidance for the appropriate PPE. Respiratory protection is recommended at a minimum of FFP2.

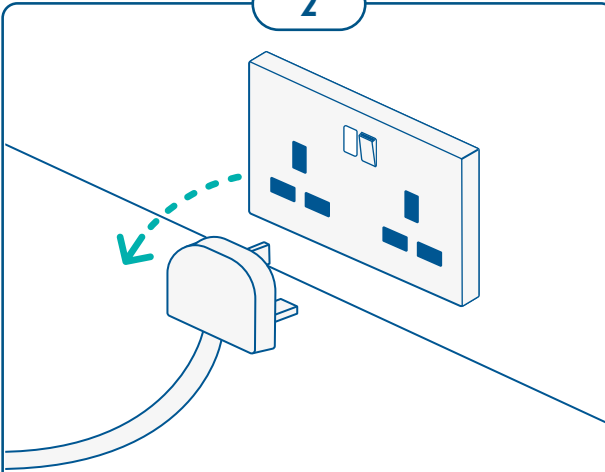
Please refer to the next 11 steps to dispose and install new Rediair main filters and pre-filters.

1



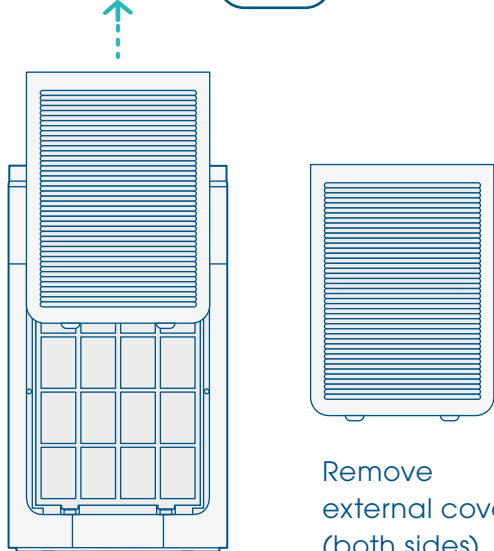
When the filter indicator (on the LCD touch control panel) lights up continuously red OR flashes 5 times and then turns **continuously red** for 5-seconds, it is time to change the all filters.

2



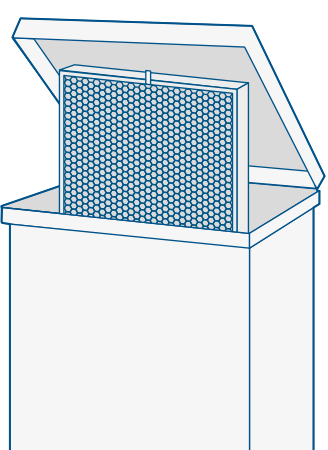
Switch off device and disconnect the power supply.

3



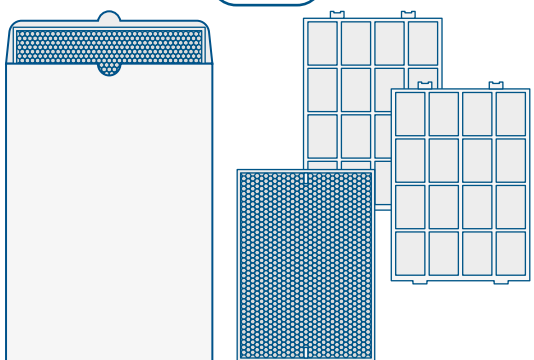
Remove external covers (both sides).

4



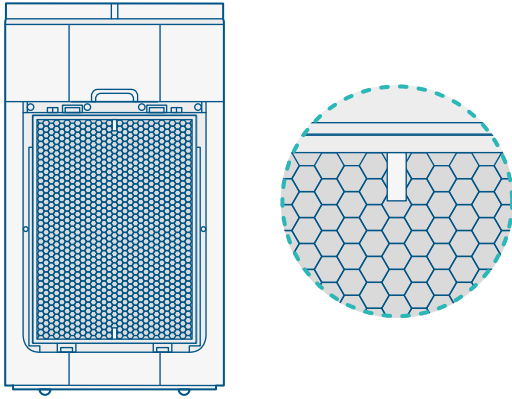
Remove pre-filters and main filters, and dispose of them (both sides).

5



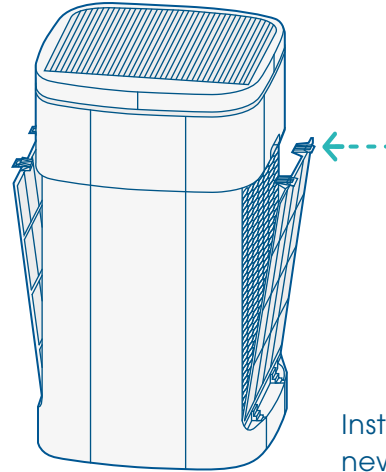
Remove new main filters and pre-filters from box and remove the plastic wrap.

6



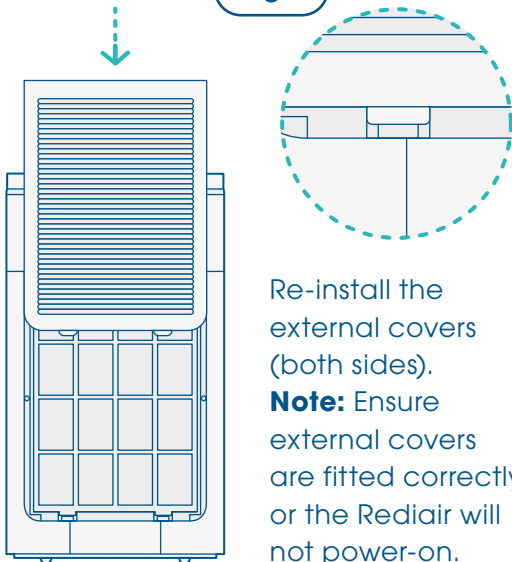
Install the new main filters (both sides), making sure that the tabs are facing outwards.

7



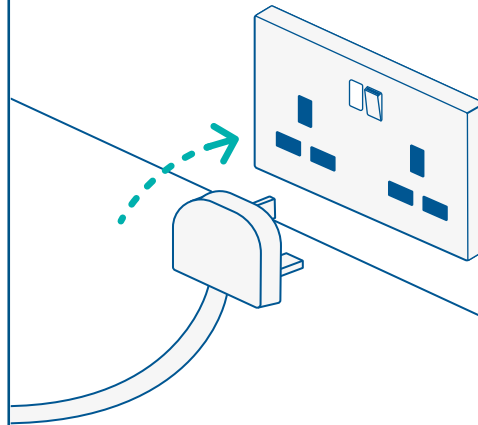
Install the new pre-filters (both sides).

8



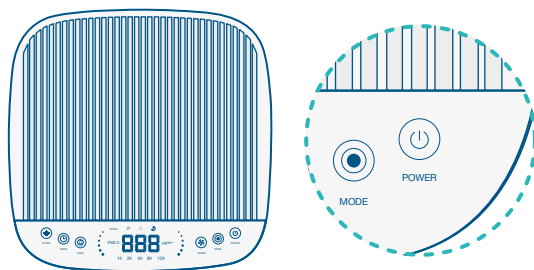
Re-install the external covers (both sides).
Note: Ensure external covers are fitted correctly or the RediAir will not power-on.

9



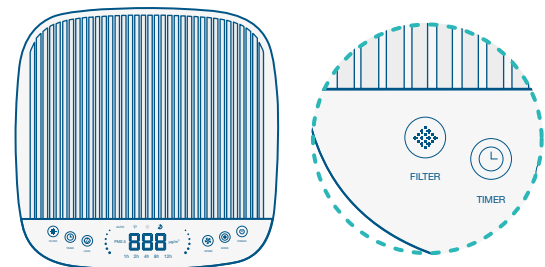
Connect the power supply.

10



Switch on the RediAir via the LCD touch control panel.

11



To reset the timer after changing the filters, press and hold the filter indicator for 5 seconds until it beeps, at which point the filter light will stop flashing